

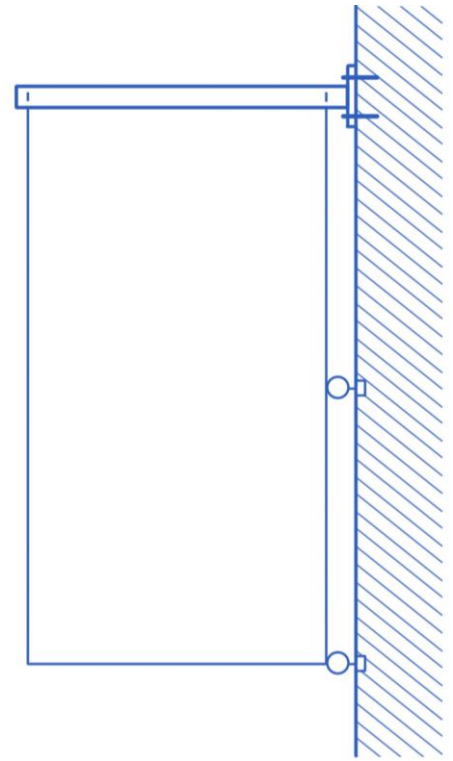
# Wall Mounted Banner Arm

## Package Consists of:

- Banner Outreach Arm 50mm OD x 2mm thick Aluminium Tube
- Clear Anodised Finish
- Banner End Cap
- Wall Bracket (Cast Aluminium)
- Bolts and spring washers for Wall Bracket
- Eye Bolt, nut and washer (2 sets)
- Installation Sheet

## Benefits

- All Aluminium – Light, strong and maintenance free
- Engineered Bracket
- Low cost, highly effective banner solution.
- Perfect for buildings or walls.



**Vertical length up to 4500mm length**

<u>Width</u>	<u>Price + GST + delivery</u>
600mm	\$300.00
900mm	\$325.00
1000mm	\$340.00
1200mm	\$350.00

